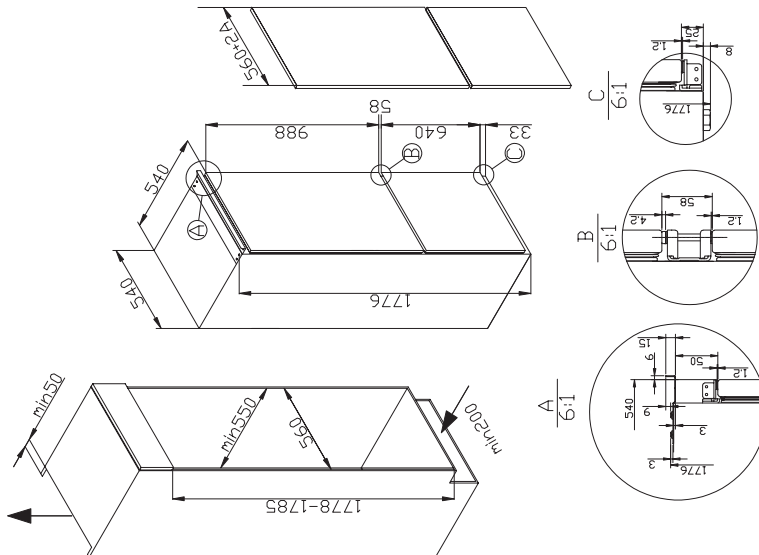
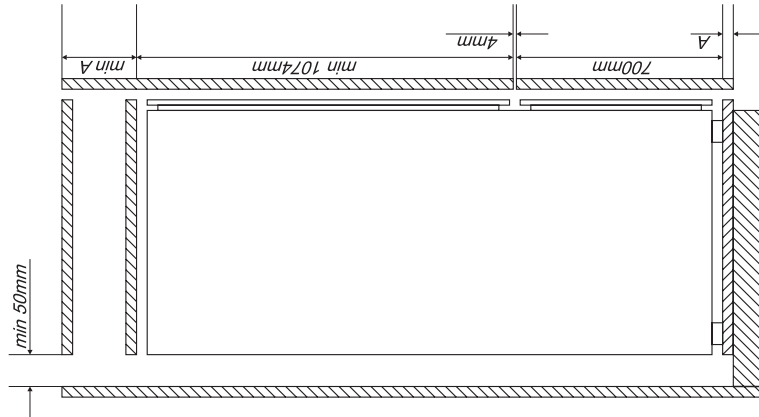
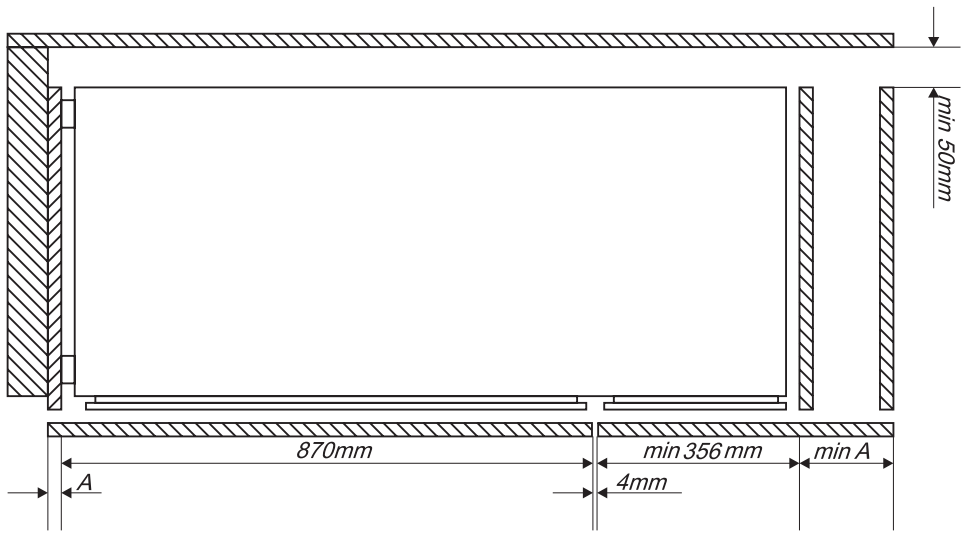
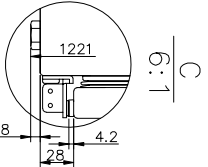
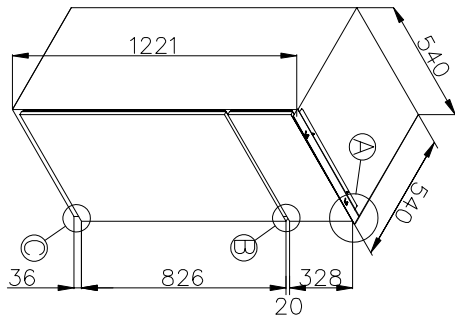
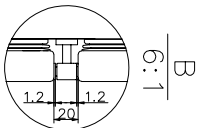
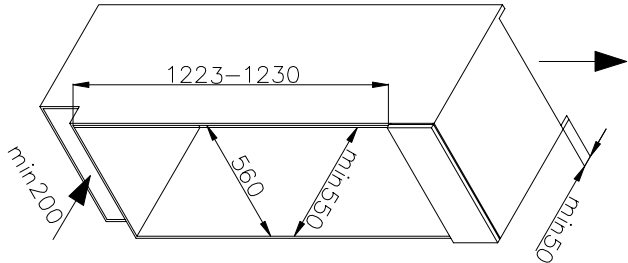
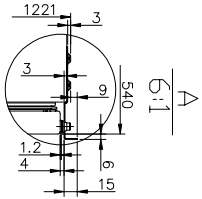


BK313.3FA	EKGC 16178	1170308
BK313.3AA	EKGC 16177	1170310
BK313.3	EKGC 16167	1170187
-	EKGC36167	1170378
BK316.3FA	-	1170448
BK313.3	-	1170276
BK313.3	-	1170218
BK316.3	-	1170457
BK3167.3FA	-	1171175
BK3165.4	-	1171145
BK3165.2F	-	1171143

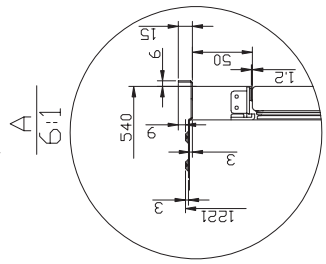
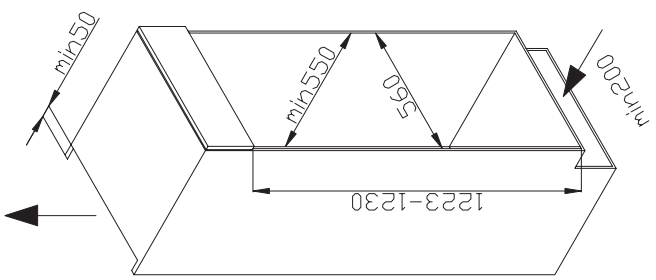
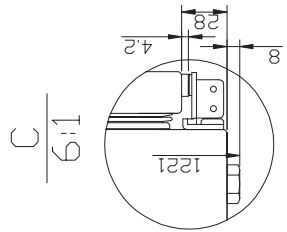
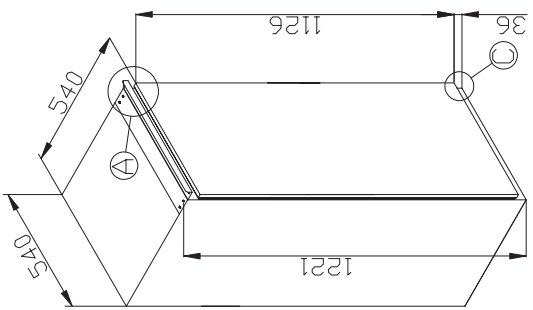
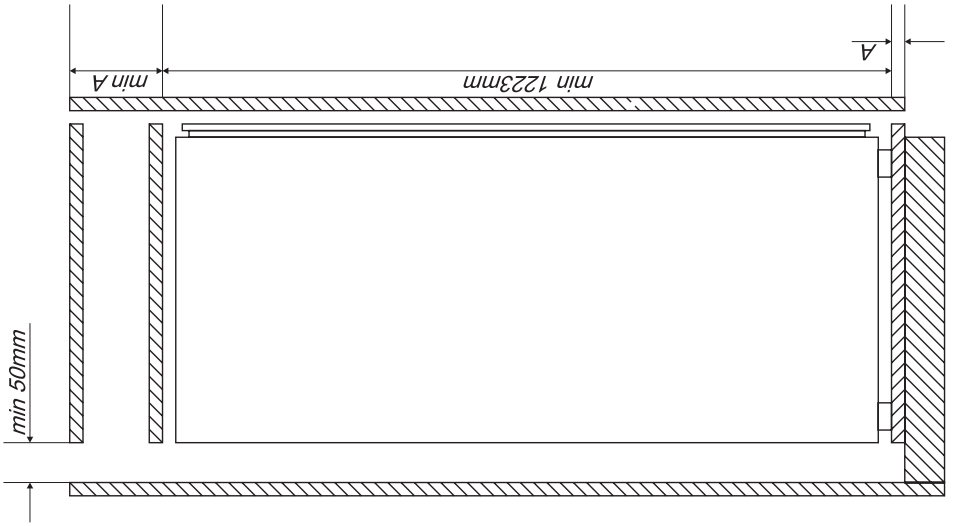
BK316.3AA	-	1170431
BK316.3FA	-	1170432
BK316.3	-	1170433
BK316.3AA	-	1170447
BK316.3	-	1170446
BK313.3FA	-	1170320
BK316.3FA	-	1170456
BK3167.3	-	1171174
BK3165.4AA	-	1171144
BK3165.4F	-	1171142





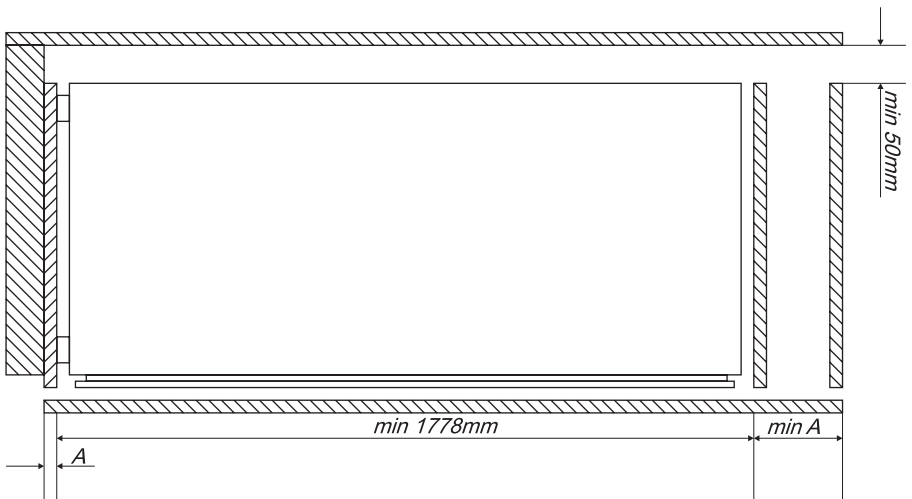
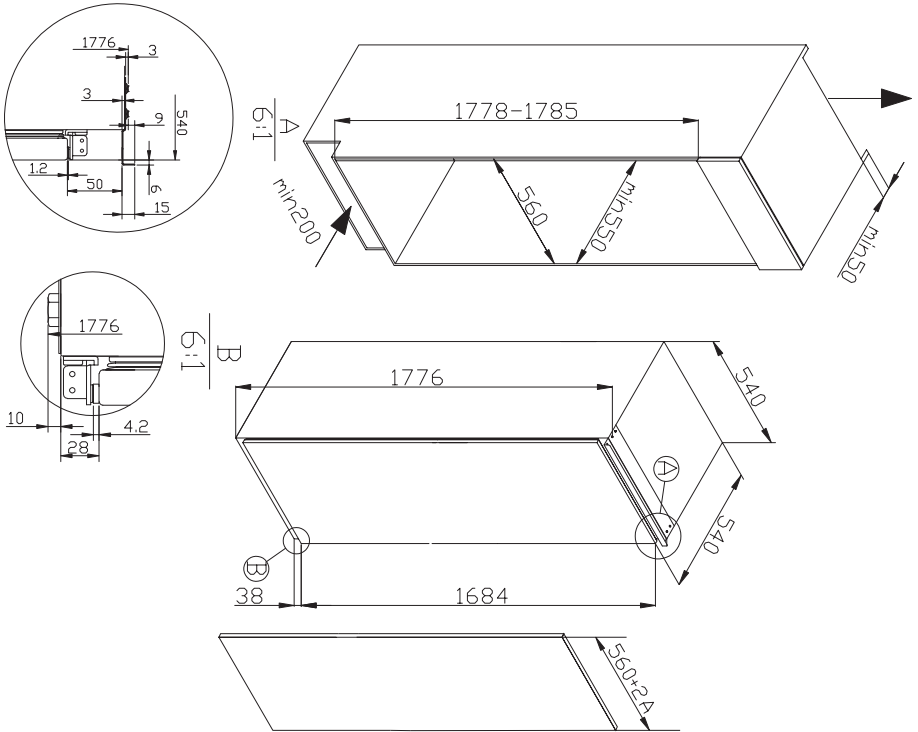
BC203.3	EVKS 16165	1170189
BM203.3	EKS 16164	1170179
BM203.3AA	EKS16174	1170390

BC203.3AA	EVKS16175	1170391
-	EKS 36164	1170412
-	EVKS 36165	1170413

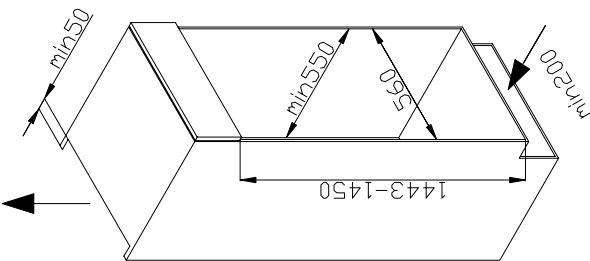
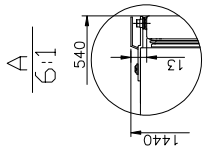
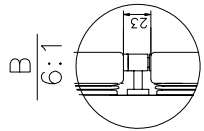
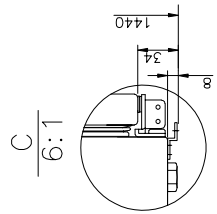
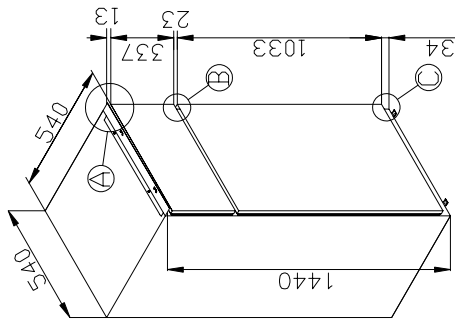
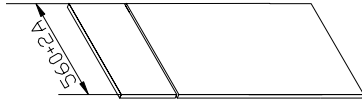
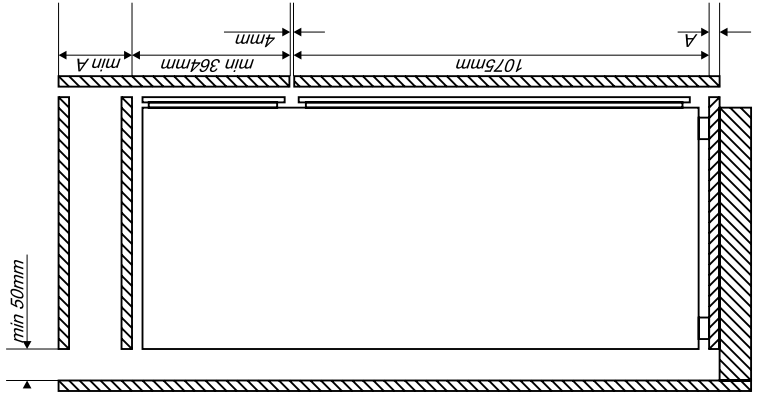


BZ221.3	-	1170213
BC271.3	-	1170214

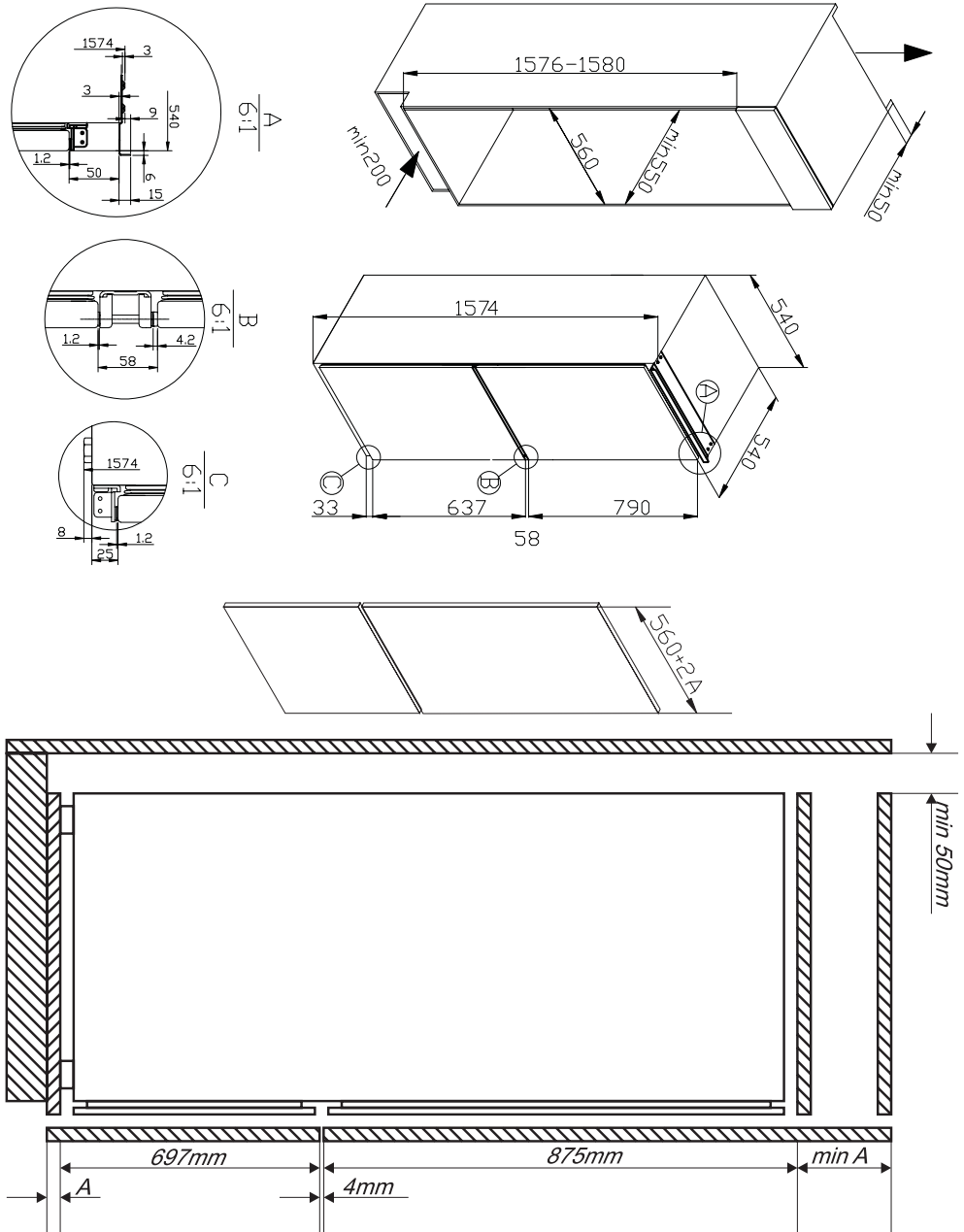
BZ226.3	-	1170453
BC276.3	-	1170452



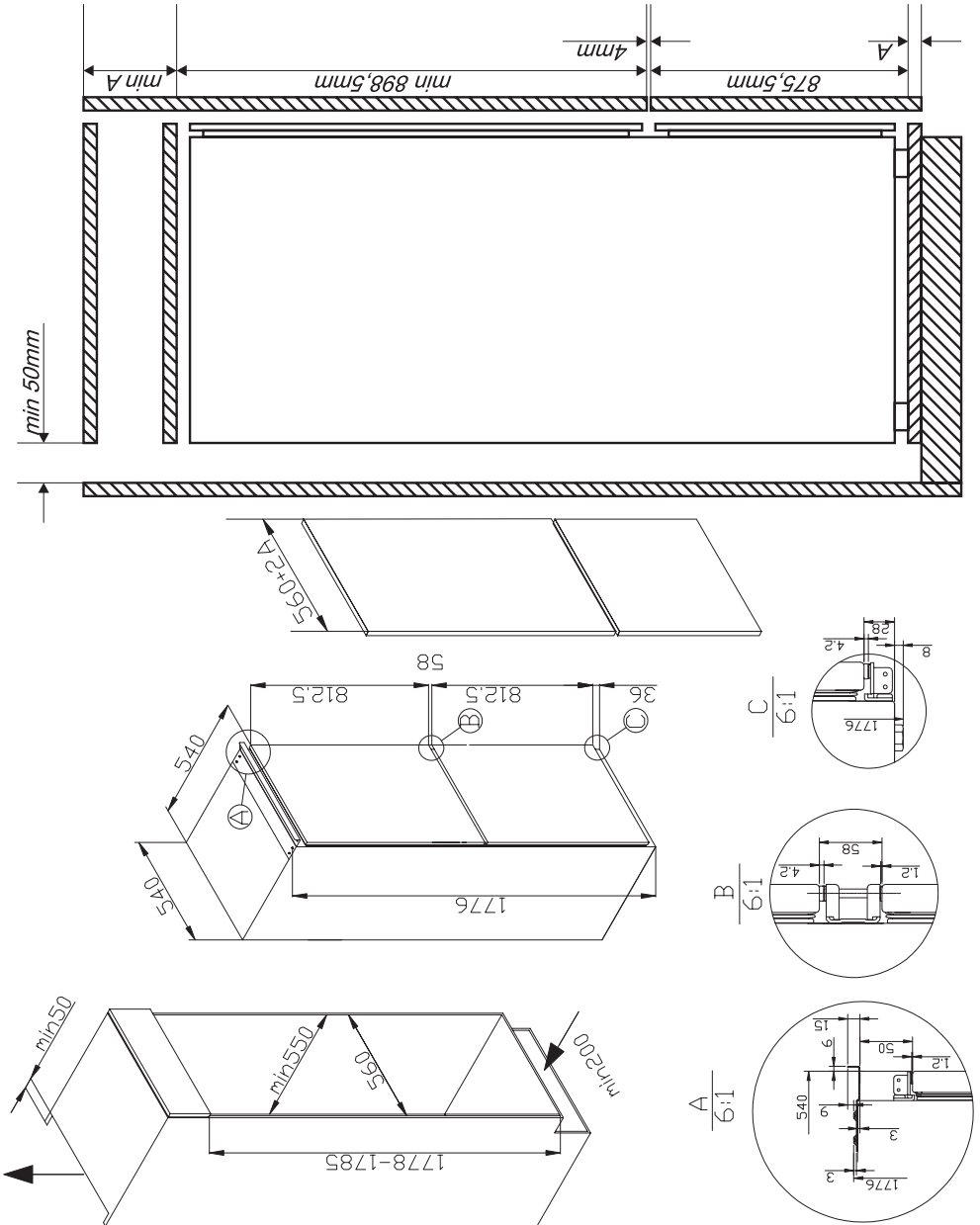
-	EKGC 36166	1170411
BD221.3	EKGC 16166	1170188

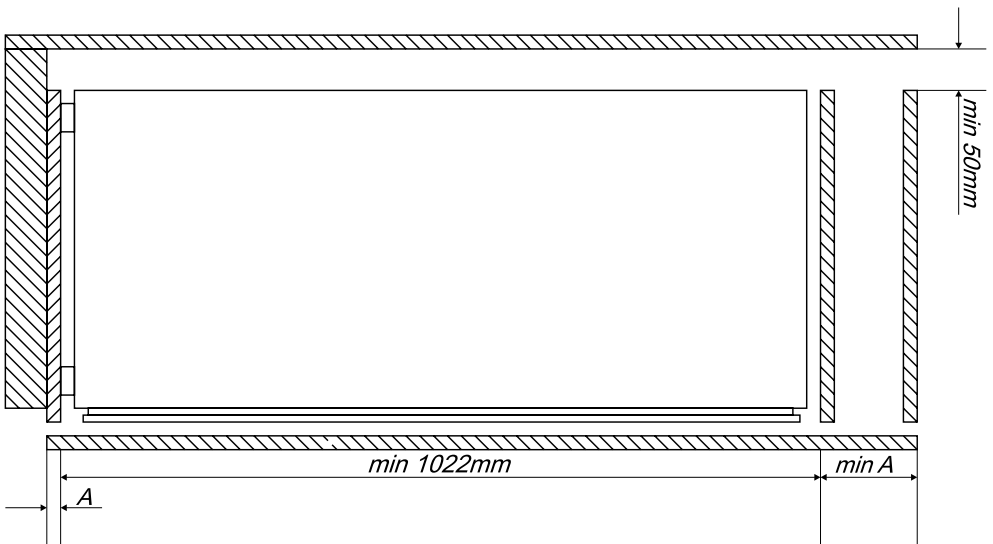
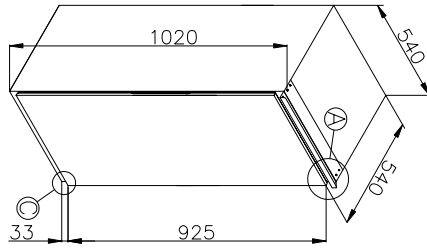
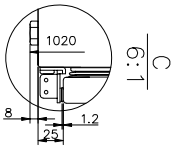
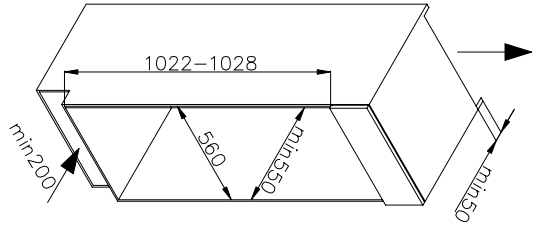
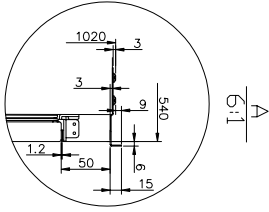


-	EKGC 16169	1170449
BK2665.4	-	1171146



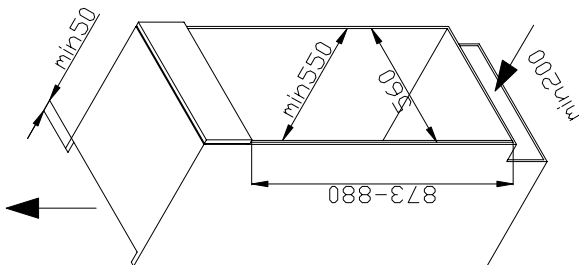
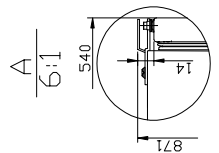
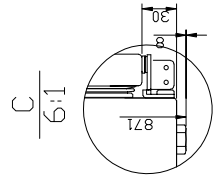
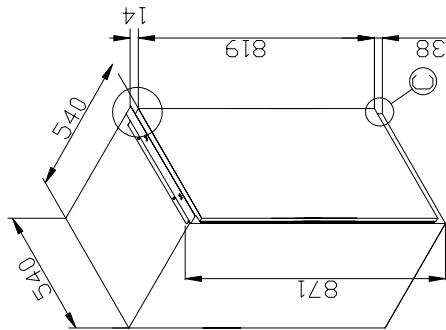
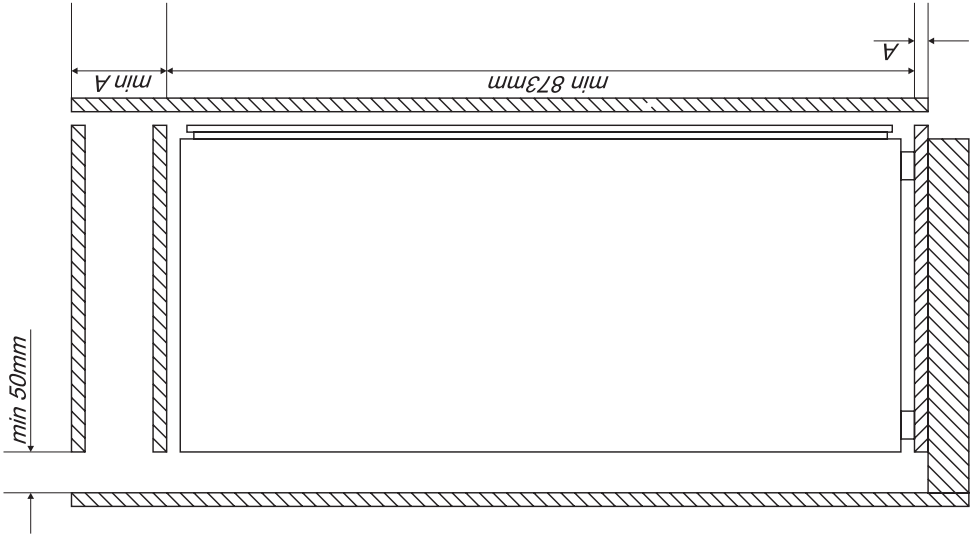
BK309.3 F	-	1170321
BK309.3	-	1170216
BK296.3	-	1170455
BK296.3FA	-	1170454



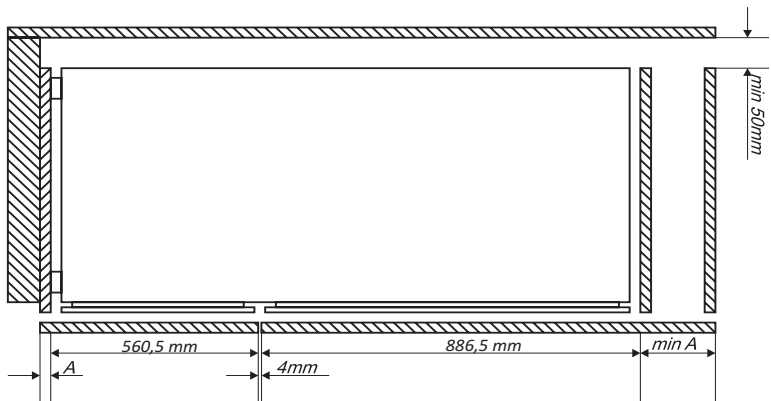
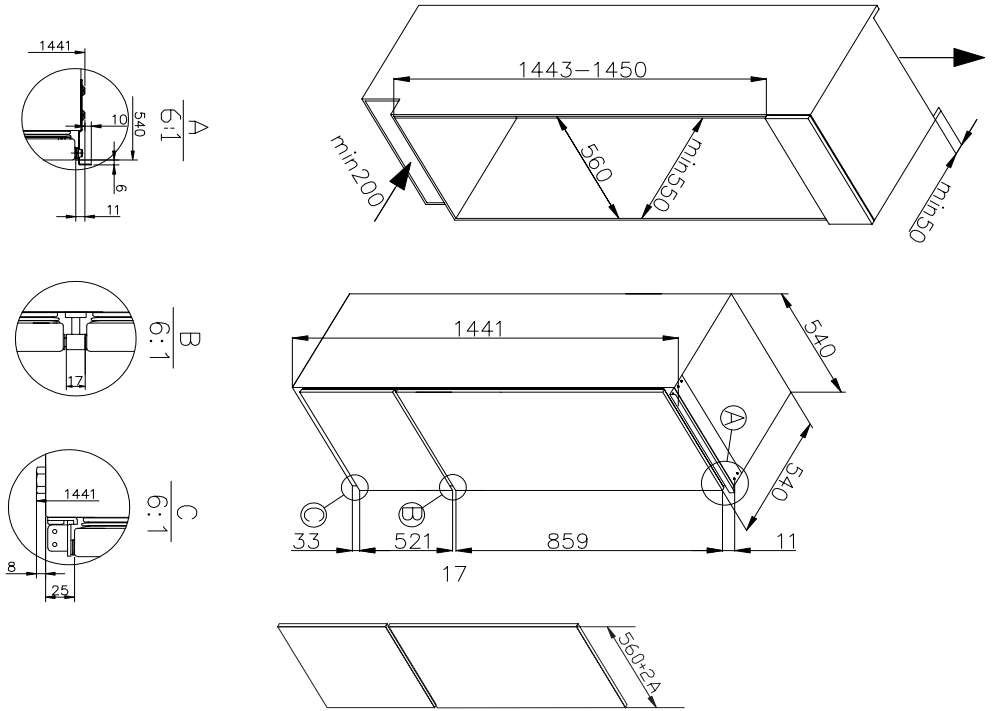




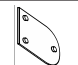



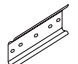

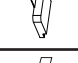

BM130.3	EKS 16161	1170182
BC150.3	EVKS 16162	1170181
BZ130.3	EGS 16163	1170180
BM130.3AA	EKS16171	1170392
BC150.3AA	EVKS16172	1170393



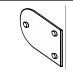



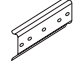




BZ130.3AA	EGS16173	1170394
-	EKS36161	1170379
-	EVKS36162	1170380
BM132.3	-	1170434



	EKGC 16155	1171112
	EKGC 36155	1171113
BK2265.4		1171147
	EKGC16156	1171186



Model	Model II	Code										
BK313.3FA	EKGC 16178	1170308	20	1	4	1	1	~1,8m	4	1	2	4
BK313.3FA	-	1170320	20	1	4	1	1	~1,8m	4	1	2	4
BK316.3FA	-	1170456	20	1	4	1	1	~1,8m	4	1	2	4
BK316.3FA	-	1170448	20	1	4	1	1	~1,8m	4	1	2	4
BK313.3AA	EKGC 16177	1170310	20	1	4	1	1	~1,8m	4	1	2	4
BK313.3	EKGC 16167	1170187	20	1	4	1	1	~1,8m	4	1	2	4
BK313.3	-	1170276	20	1	4	1	1	~1,8m	4	1	2	4
BK313.3	-	1170218	20	1	4	1	1	~1,8m	4	1	2	4
BK316.3	-	1170457	20	1	4	1	1	~1,8m	4	1	2	4
-	EKGC36167	1170378	20	1	4	1	1	~1,8m	4	1	2	4
BK316.3AA	-	1170431	20	1	4	1	1	~1,8m	4	1	2	4
BK316.3FA	-	1170432	20	1	4	1	1	~1,8m	4	1	2	4
BK316.3	-	1170433	20	1	4	1	1	~1,8m	4	1	2	4
BC203.3	EVKS 16165	1170189	14	1	4	1	1	~1,3m	2	-	2	2
-	EVKS 16404	1170409	14	1	4	1	1	~1m	2	-	2	2
BM203.3	EKS 16164	1170179	14	1	4	1	1	~1,3m	2	-	2	2
BM203.3AA	EKS16174	1170390	14	1	4	1	1	~1,3m	2	-	2	2
BC203.3AA	EVKS16175	1170391	14	1	4	1	1	~1,3m	2	-	2	2
-	EKS 36164	1170412	14	1	4	1	1	~1,3m	2	-	2	2
-	EVKS 36165	1170413	14	1	4	1	1	~1,3m	2	-	2	2
BD221.3	EKGC 16166	1170188	20	1	-	-	-	~1,5m	4	-	2	4
-	EKGC16160	1170389	20	1	-	-	-	~1,5m	4	-	2	4
-	EKGC 36166	1170411	20	1	-	-	-	~1,5m	4	-	2	4
BM130.3	EKS 16161	1170182	12	1	-	-	-	~0,9m	2	-	2	2
BC150.3	EVKS 16162	1170181	12	1	-	-	-	~0,9m	2	-	2	2
BZ130.3	EGS 16163	1170180	12	1	-	-	-	~0,9m	2	-	2	2
BM130.3AA	EKS16171	1170392	12	1	-	-	-	~0,9m	2	-	2	2

Model	Model II	Code											
BC150.3AA	EVKS16172	1170393	12	1	-	-	-	-	~0,9m	2	-	2	2
BZ130.3AA	EGS16173	1170394	12	1	-	-	-	-	~0,9m	2	-	2	2
-	EKS36161	1170379	12	1	-	-	-	-	~0,9m	2	-	2	2
-	EVKS36162	1170380	12	1	-	-	-	-	~0,9m	2	-	2	2
BM132.3	-	1170434	12	1	-	-	-	-	~0,9m	2	-	2	2
BK316.3AA	-	1170447	20	1	4	1	1	1	~1,8m	4	1	2	4
BK316.3	-	1170446	20	1	4	1	1	1	~1,8m	4	1	2	4
BC271.3	-	1170214	20	1	4	1	1	1	~1,8m	4	-	2	4
BZ221.3	-	1170213	20	1	4	1	1	1	~1,8m	4	-	2	4
BZ226.3	-	1170453	20	1	4	1	1	1	~1,8m	4	-	2	4
BC276.3	-	1170452	20	1	4	1	1	1	~1,8m	4	-	2	4
BK309.3 F	-	1170321	20	1	4	1	1	1	~1,8m	4	1	2	4
BK309.3	-	1170216	20	1	4	1	1	1	~1,8m	4	1	2	4
-	EKGC 16169	1170449	20	1	4	1	1	1	~1,6m	4	1	2	4
BK296.3	-	1170455	20	1	4	1	1	1	~1,8m	4	1	2	4
BK296.3FA	-	1170454	20	1	4	1	1	1	~1,8m	4	1	2	4
-	EKGC 16155	1171112	20	1	4	-	-	-	~1,5m	4	-	2	4
-	EKGC 36155	1171113	20	1	4	-	-	-	~1,5m	4	-	2	4
BK3167.3	-	1171174	20	1	4	1	1	1	~1,8m	4	1	2	4
BK3167.3FA	-	1171175	20	1	4	1	1	1	~1,8m	4	1	2	4
BK2265.4	-	1171147	20	1	4	-	-	-	~1,5m	4	-	2	4
BK2665.4	-	1171146	20	1	4	1	1	1	~1,6m	4	1	2	4
BK3165.4AA	-	1171144	20	1	4	1	1	1	~1,8m	4	1	2	4
BK3165.4	-	1171145	20	1	4	1	1	1	~1,8m	4	1	2	4
BK3165.4F	-	1171142	20	1	4	1	1	1	~1,8m	4	1	2	4
BK3165.2F	-	1171143	20	1	4	1	1	1	~1,8m	4	1	2	4
-	EKGC16156	1171186	20	1	4	-	-	-	~1,5m	4	-	2	4

